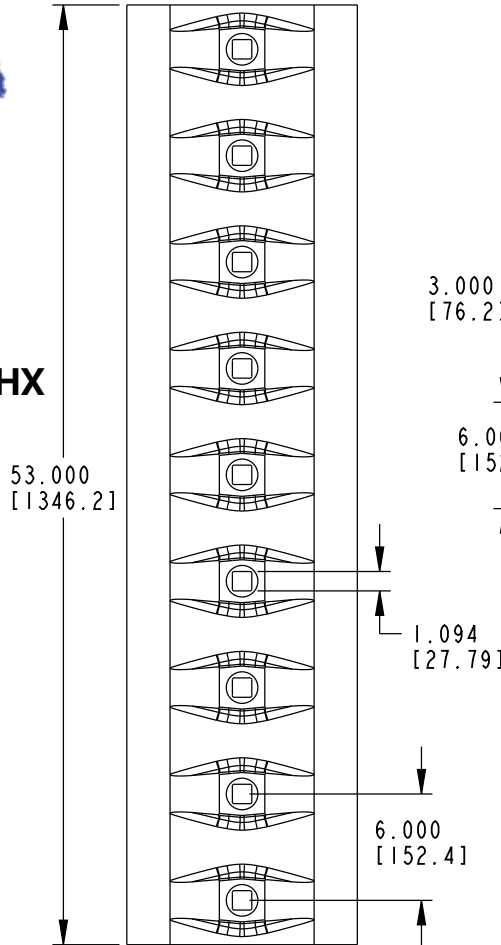


**Esco® Style Bolt-on
D9L Dozer Edges**

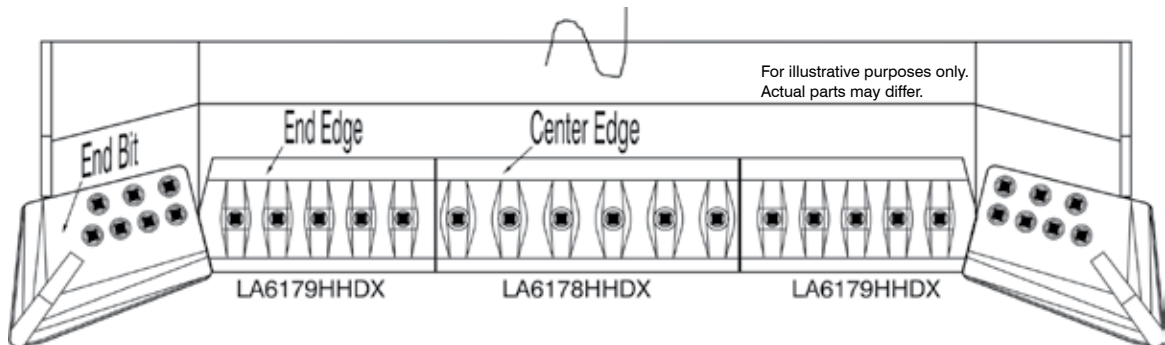
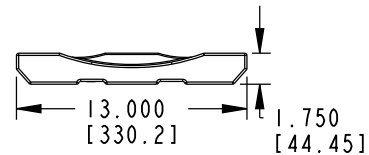
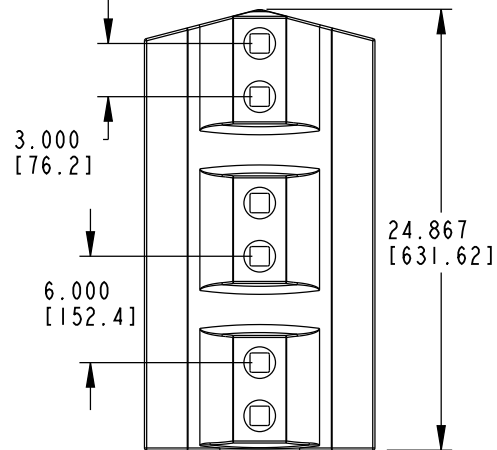


NEW

LA6178HHDHX



LA6179HHDHX



LA6178HHDHX - ctr edge (1 req'd.)
275.0 lbs. (124.8 kgs.)
Uses (9) A10-400 bolt assemblies.

LA6179HHDHX - end edge (2 req'd.)
127.0 lbs. (57.6 kgs.)
Uses (6) A10-400 bolt assemblies.

Hensley Customer Service

Toll Free US / Canada
Phone: (888) 406-6262
Fax: (888) 241-3274

All Other Locations
Phone: (972) 406-6262
Fax: (972) 241-3274

Esco is a registered trade mark of the Esco Corporation. Cat and Caterpillar are registered trademarks of Caterpillar, Inc.

www.hensleyind.com

Safety first: Hensley Industries recommends that you use a soft-face hammer and ANSI-approved (Z87.1) eye protection when using our products.

© 2008 Hensley Industries, Inc.

Access to any specific item is subject to your individual dealer classification.