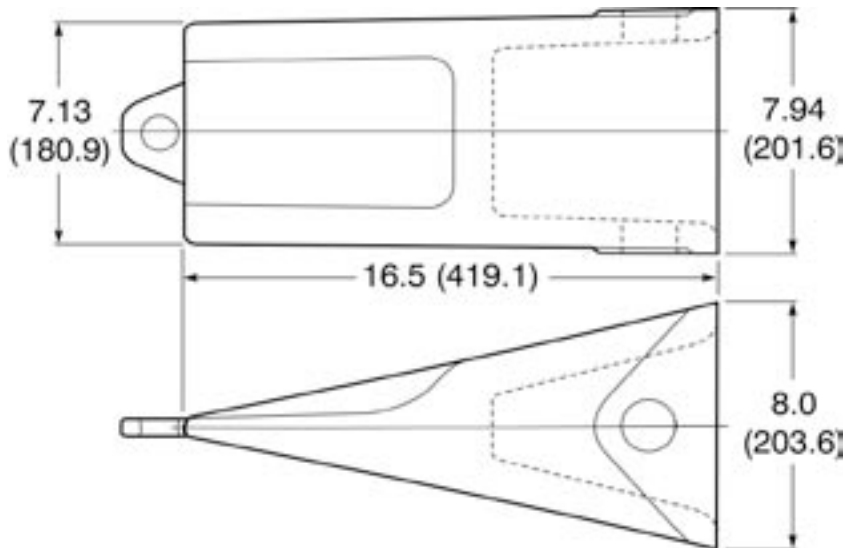


**PRODUCT
NEWS**

HENSLEY®

NEW

**DURA® J700 STANDARD
EXCAVATOR TOOTH**



Part #: D4T4702

Description: Tooth, Excavator, Standard (J700)

Weight: 92.0 lbs. / 41.8 kgs.

Specifics: Dura® standard excavator tooth for
J700 family adapters.

AVAILABLE LATE AUGUST 2008

Hensley Customer Service

Toll Free US / Canada
Phone: (888) 406-6262
Fax: (888) 241-3274

All Other Locations
Phone: (972) 406-6262
Fax: (972) 241-3274

www.hensleyind.com

Safety first: Hensley Industries recommends that you use a soft-face hammer and ANSI-approved (Z87.1) eye protection when using our products.

© 2008 Hensley Industries, Inc.

Access to any specific item is subject to your individual dealer classification.

**PRODUCT
NEWS**