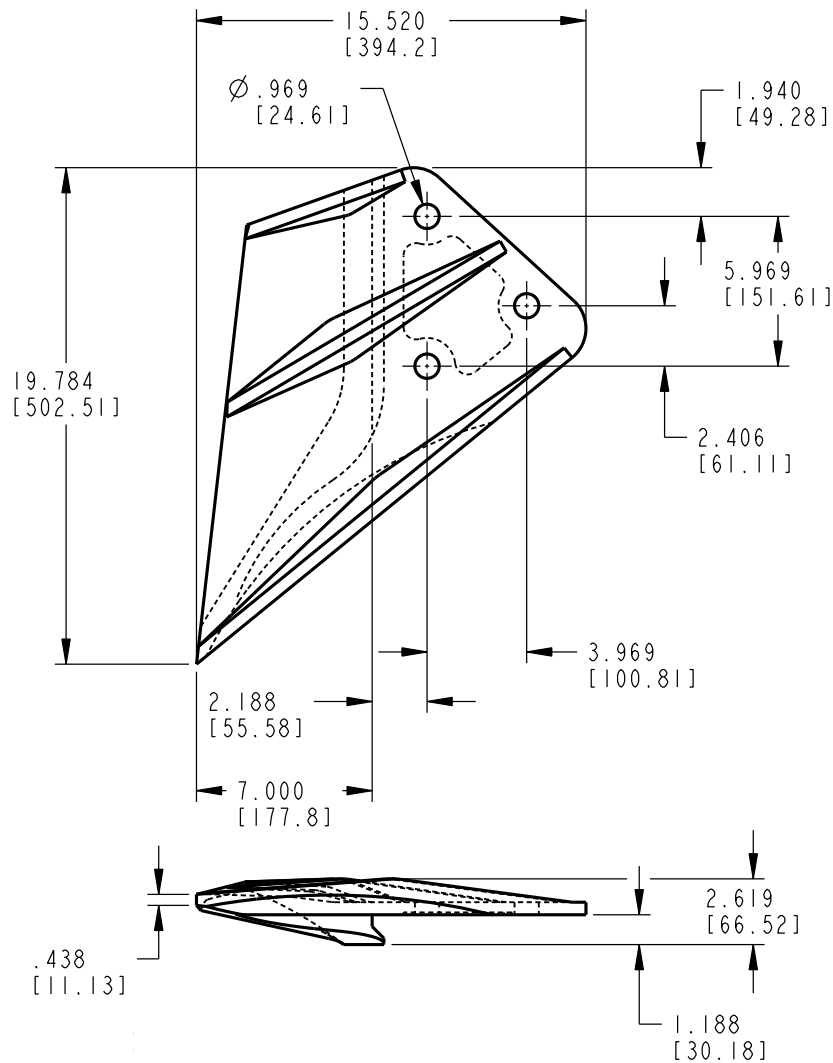


**PRODUCT
NEWS**

NEW

Esco Style Side Cutter



Part #: CE17748R3HX (rh shown)
CE17748L3HX (lh opposite)

Description: Side cutter, bolt-on

Weight: 38.2 lbs (17.3 kgs.)

Specifics: Replaces Esco part # CE17748R3
& CE17748L3. Provides a total of
3" additional cut. Uses (3) A78-300 bolt assemblies.

Hensley Customer Service

Toll Free US / Canada
Phone: (888) 406-6262
Fax: (888) 241-3274

All Other Locations
Phone: (972) 406-6262
Fax: (972) 241-3274

www.hensleyind.com

Safety first: Hensley Industries recommends that you use a soft-face hammer and ANSI-approved (Z87.1) eye protection when using our products.

© 2009 Hensley Industries, Inc.

Access to any specific item is subject to your individual dealer classification.

**PRODUCT
NEWS**