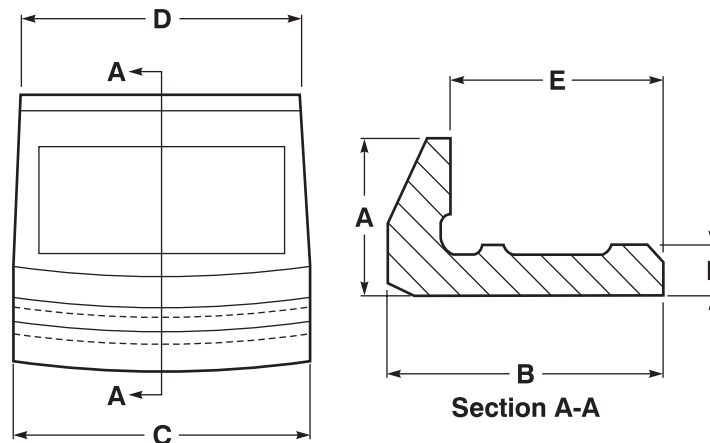
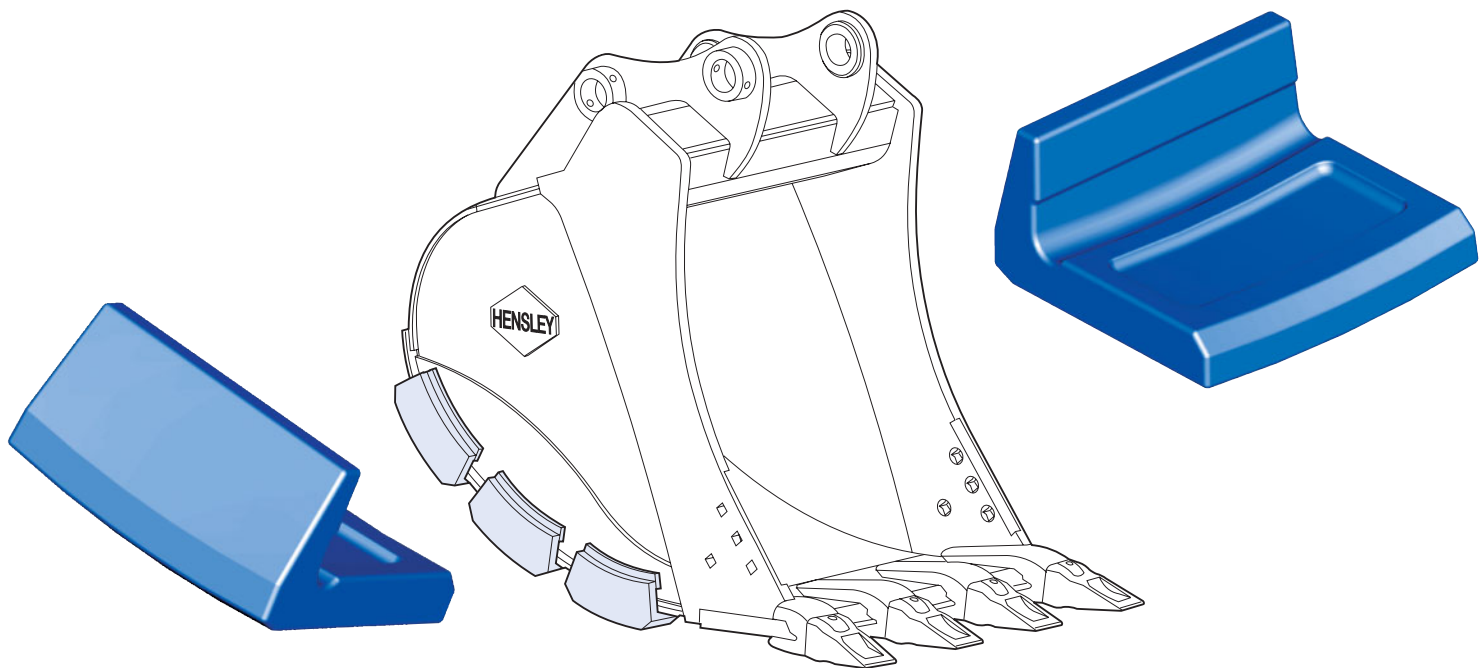


# WELD-ON BUCKET HEEL SHROUDS



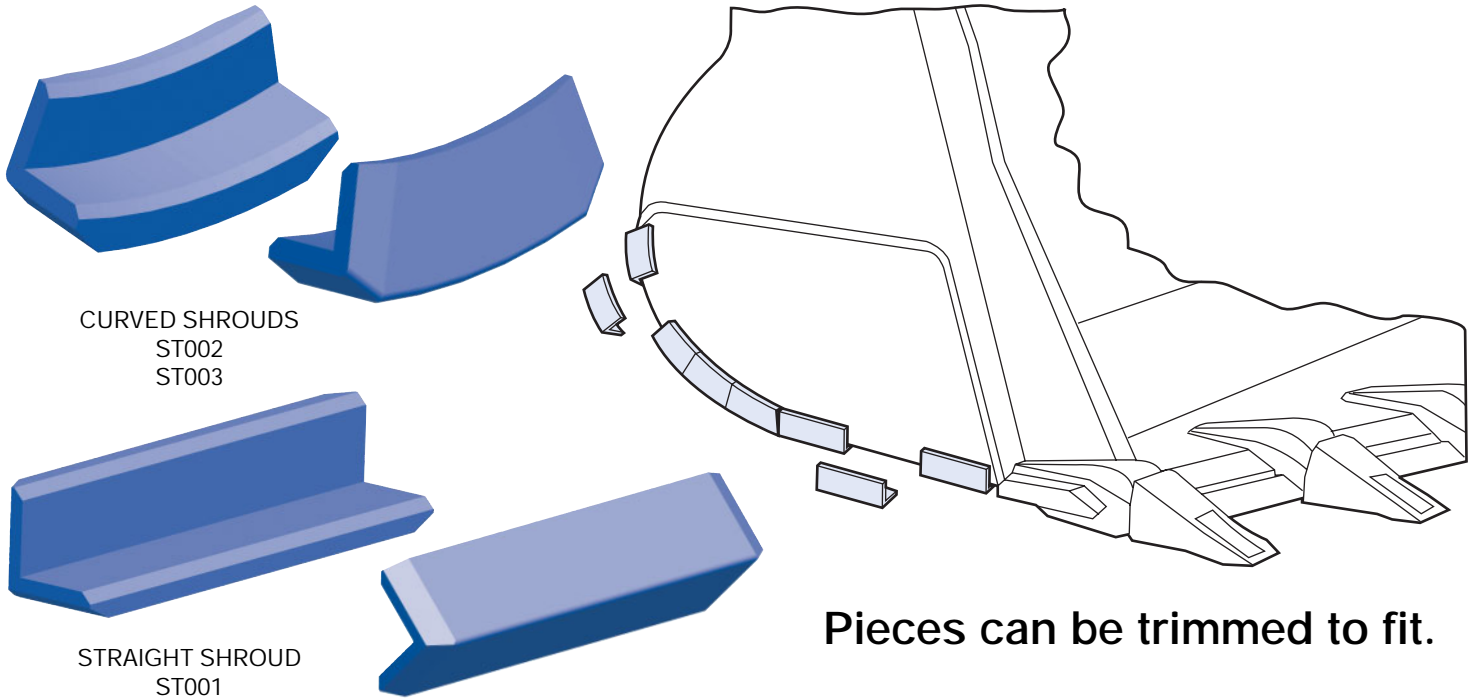
Hensley Weld-on Bucket Heel Shrouds are designed to protect high wear areas, such as the corner edges on excavator, loader, face shovel and LHD scoop tram buckets. These cast Heel Shrouds are 300+ Brinell and provide superior wear protection when placed on the outside radius of the bucket.

## EXCAVATOR & FACE SHOVELS



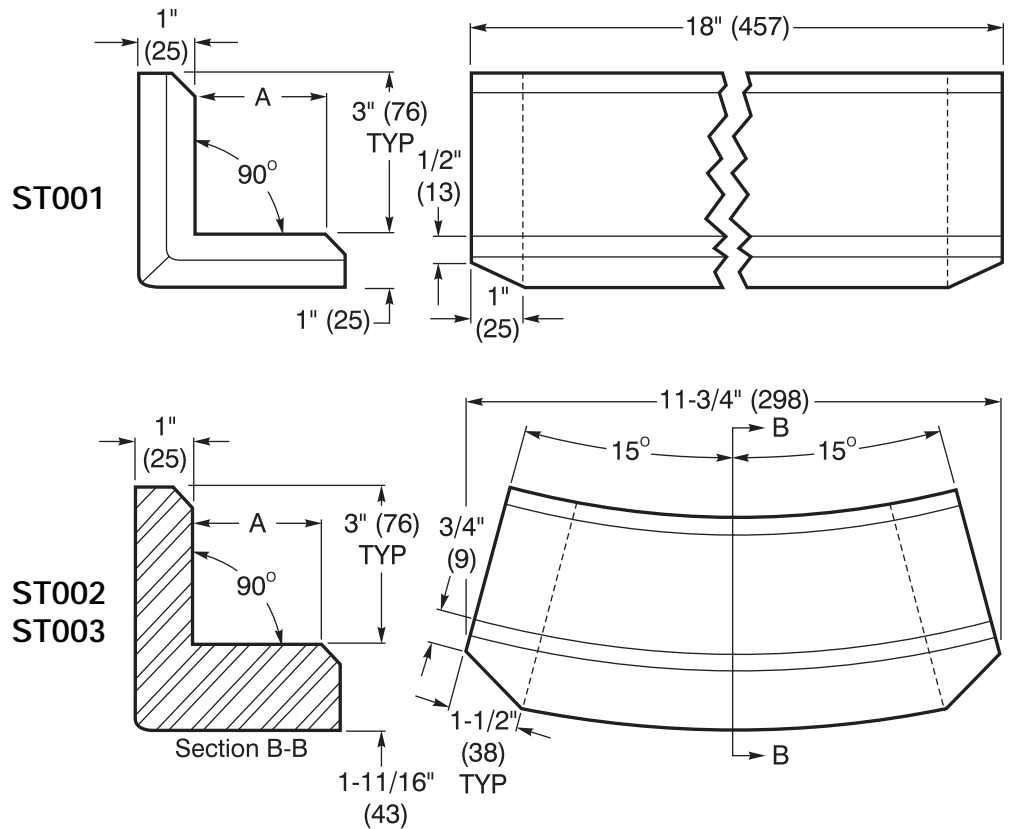
MACHINE SIZE	PART NO.	A	B	C	D	E	F	WEIGHT
20 - 40 ton	ES6697-4HX	4" (100)	7" (175)	7-1/2" (188)	7" (178)	5-1/2" (135)	1-1/4" (32)	22.0 lbs./10.0 kgs.
40 - 80 ton	ES6697-3HX	4" (100)	8" (200)	7-1/2" (188)	7" (178)	6" (150)	1-1/2" (38)	30.0 lbs./13.0 kgs.
80 - 180 ton	ES6697-2HX	6" (150)	10" (250)	7-1/2" (188)	6-1/2" (166)	8" (200)	2" (50)	45.0 lbs./20.0 kgs.
180 - 400 ton	ES6697-5HX	8" (200)	12" (300)	10" (250)	8-3/4" (220)	9-1/4" (235)	2" (50)	85.0 lbs./38.0 kgs.

# LOADERS & LHD SCOOP TRAM BUCKETS



**Wear Edges**

Wear Edge	Weight	A
ST001	35.0 lbs./15.9 kgs.	3" (76)
ST002	30.0 lbs./13.6 kgs.	3" (76)
ST003	21.5 lbs./9.7 kgs.	1-1/2" (38)



**SAFETY FIRST:** Hensley recommends soft-faced hammer and ANSI-approved (Z87.1) eye protection while using our products.

**Hensley Industries, Inc.**  
2108 Joe Field Road  
Dallas, TX 75229

**Customer Service**  
Toll Free U.S./Canada (888) 406-6262  
All Other Locations (972) 406-6262

**Hensley Attachments**  
(800) 433-3144  
(817) 477-5136

www.hensleyind.com



YOUR AUTHORIZED HENSLEY DEALER

Copyright © 2004 Hensley Industries, Inc.

This publication is protected under the copyright laws of the United States. Unauthorized duplication or distribution is prohibited.