

# HENSLEY PARABOLIC® 370 SERIES

TEETH • ADAPTERS • WEAR PARTS



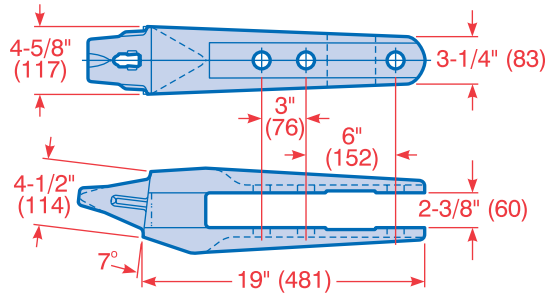
**Hensley** proudly offers the 370 Series PARABOLIC® tooth and adapter line. When used in heavy duty applications, **Hensley's** 370 Series is targeted for excavators with operating weights up to 75,000 lbs. and for loaders with break-out forces up to 77,000 lbs.

**Features of the 370 Series PARABOLIC® teeth & adapters:**

- Superior fit between nose and pocket
- Three types of strong, top-mounted fastener systems
- Fastener cannot be inserted incorrectly
- Nine different tooth styles
- Computer-aided design for maximum efficiency



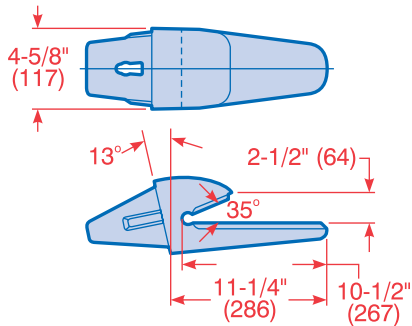
## BOLT-ON ADAPTER (SAUERMAN)



293x370 59 lbs./26.8 kgs.

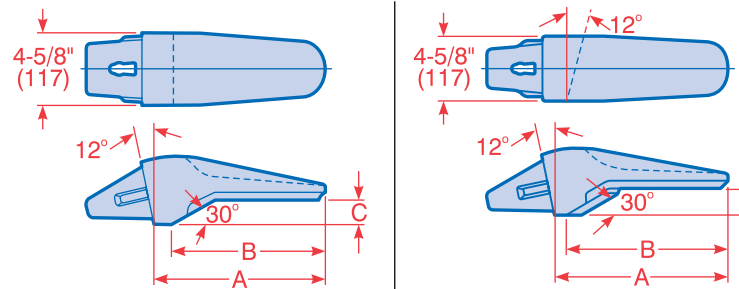


## BOTTOM LEG ADAPTER



827X370 35.2 lbs./16.0 kgs. 2" to 2-1/2" Lip Thickness

## FLUSH-MOUNT ADAPTERS



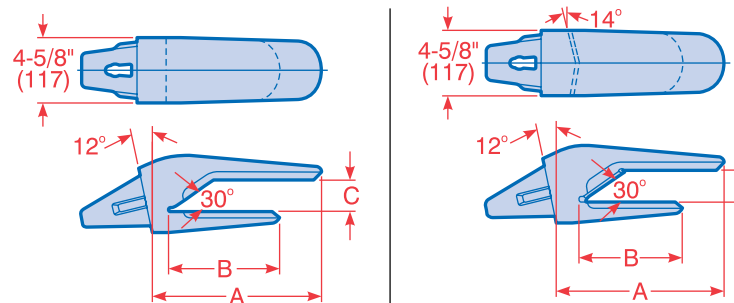
Type 1 Straight Lip

Type 2 Spade Lip

(Right Hand Shown; Left Hand Opposite)

Lip Thickness	Hensley Adapter No.	Type	Dimensions - Inches (mm)			Weight Lbs. (kgs.)
			A	B	C	
2"	949X370 (Center)	1	12 (305)	11 (279)	2 (51)	38.7 (17.6)
2"	947X370 (L.H.)	2	12 (305)	11 (279)	2 (51)	40.5 (18.4)
2"	948X370 (R.H.)	2	12 (305)	11 (279)	2 (51)	40.5 (18.4)

## WRAP-AROUND ADAPTERS



Type 1 Straight Lip

Type 2 Spade Lip\*

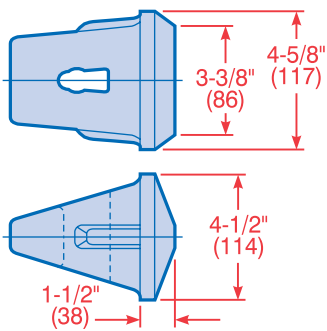
Lip Thickness	Hensley Adapter No.	Type	Dimensions - Inches (mm)			Weight Lbs. (kgs.)
			A	B	C	
1-1/2"	158X370	1	11 3/4 (298)	5 1/4 (133)	1 9/16 (40)	35.3 (16.0)
1-3/4"	936X370	2	11 3/4 (298)	8 (203)	1 13/16 (46)	41.9 (19.0)
1-3/4"	937X370	1	11 3/4 (298)	5 1/4 (133)	1 13/16 (46)	35.6 (16.1)
2"	940X370	1	11 3/4 (298)	5 1/4 (133)	2 1/16 (52)	36.4 (16.5)



\* Spade Lip Adapter - Utilized for both Right and Left Hand Edge Lips.

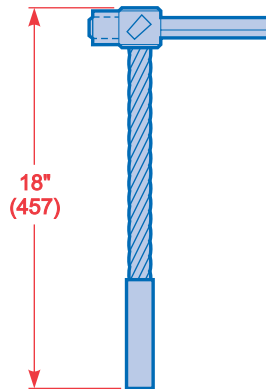
370 SERIES • 370 SERIES • 370 SERIES • 370 SERIES • 370 SERIES • 370 SERIES • 370 SERIES • 370 SERIES • 370 SERIES • 370 SERIES

**WELD-ON NOSE**



**370WN** 14.7 lbs./6.7 kgs.

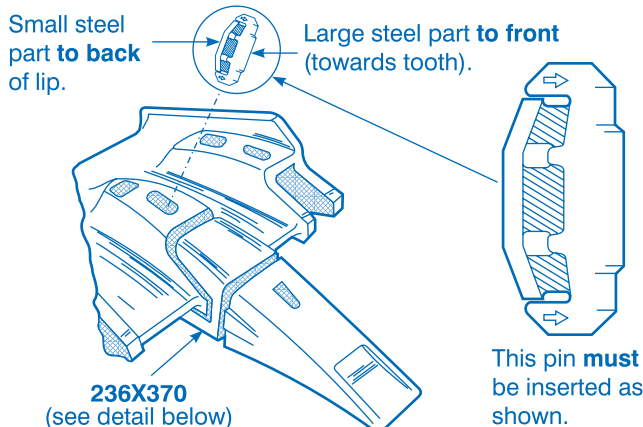
**PIN REMOVAL TOOL**



**PRT370** 7.6 lbs./3.5 kgs.



**STAKE-TYPE ADAPTER FOR HENSLEY C-29 CAST LIPS**

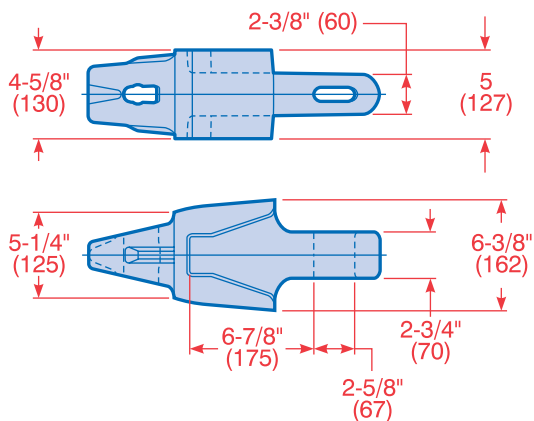


**236X370**  
(see detail below)

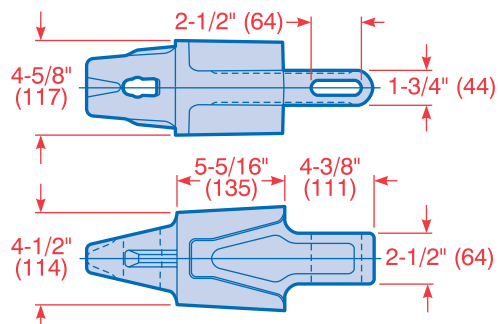
**NOTES**

- 1.) The **236X370** stake-type adapter can replace any **130X400**, **236X400**, or **136X330** adapter on a Hensley C-29 cast lip. See detail below.
- 2.) In Esco C-29 Cast Lips, **129X370** stake-type adapter can be utilized. See detail below.

**STAKE-TYPE ADAPTERS**



**For Hensley C-29 Cast Lips**  
**236X370** 52.0 lbs./23.6 kgs.



**For Esco C-29 Cast Lips**  
**129X370** 33.7 lbs./15.3 kgs.

**SAFETY FIRST**

Hensley recommends that you use a soft-faced hammer and ANSI-approved (Z87.1) eye protection while using our products.

**Hensley Industries, Inc.**

2108 Joe Field Road Dallas, Texas 75229 U.S.A.  
www.HensleyInd.com

**Customer Service**

United States & Canada: Tel. 888.406.6262; Fax 888.241.3274  
All Other Locations: Tel. 972.406.6262; Fax 972.241.3274

**YOUR AUTHORIZED HENSLEY DEALER**