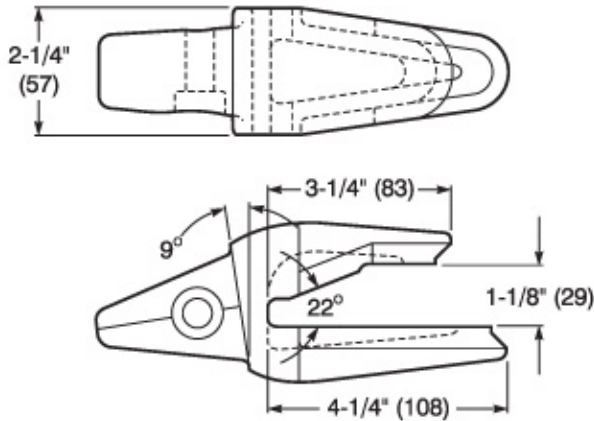




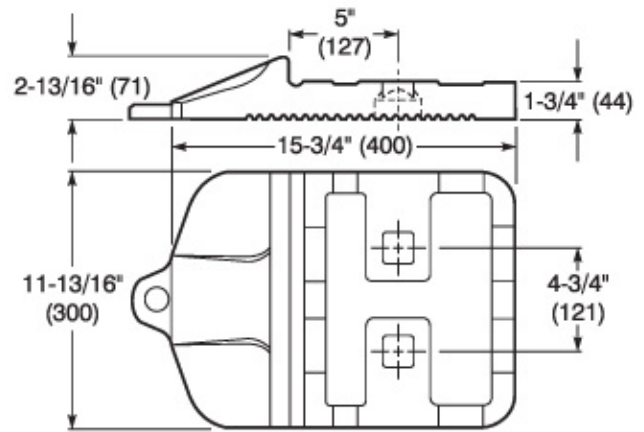
NEW PRODUCT NEWS



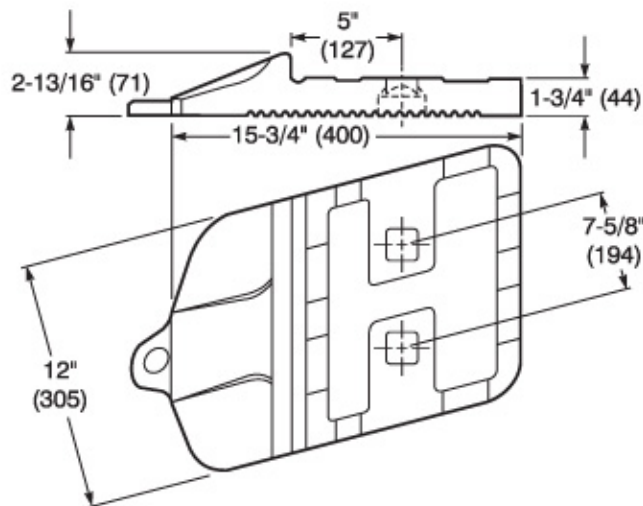
CATERPILLAR® STYLE PRODUCTS



PART#: 119-3204HX
DESCRIPTION: ADAPTER, WELD-ON
WEIGHT: 4.9 LBS. (2.2 KGS.)
SPECIFICS: Direct replacement for Cat® 119-3204. Used on Cat® RTB models 416, 426, 428, 436 and D3. Can be used in place of 8J7525HX and 2740-416.



PART#: 135-9544HX
DESCRIPTION: 1/2 ARROW SEGMENT
WEIGHT: 76.6 LBS. (34.7 KGS.)
SPECIFICS: Center bolt-on 1/2 arrow segment (1) req'd. for Cat® 966G & 972G wheel loaders. Uses (2) 1-1/4" X 3-1/4" Gr. 8 plow bolts w/nut & lock washer. Use in conjunction with (3) 135-9545HX (RH) & (3) 135-9546HX (LH) segments.



PART#: 135-9545HX (RH shown)
 135-9546HX (LH opposite)
DESCRIPTION: 1/2 ARROW SEGMENT
WEIGHT: 78.6 LBS. (35.7 KGS.)
SPECIFICS: RH & LH bolt-on 1/2 arrow segments (3 ea. req'd.) for Cat® 966G & 972G wheel loaders. Uses (2) 1-1/4" X 3-1/4" Gr. 8 plow bolts w/nuts and lock washers. Use in conjunction with (1) 135-9544HX center segment.