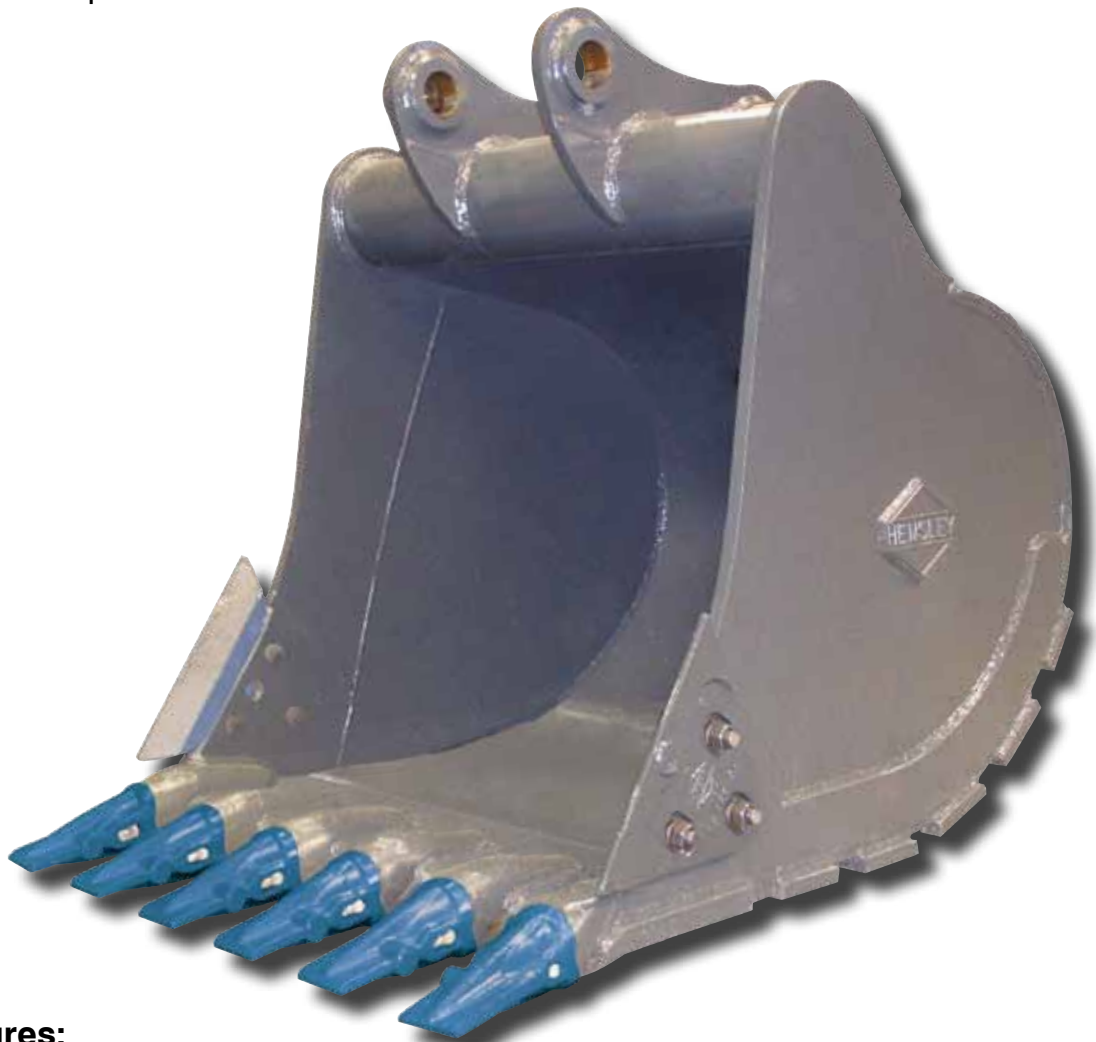


HENSLEY®

ATTACHMENTS

**"TL" STYLE BUCKETS WITH XS
GET SYSTEMS FOR HYDRAULIC EXCAVATORS**

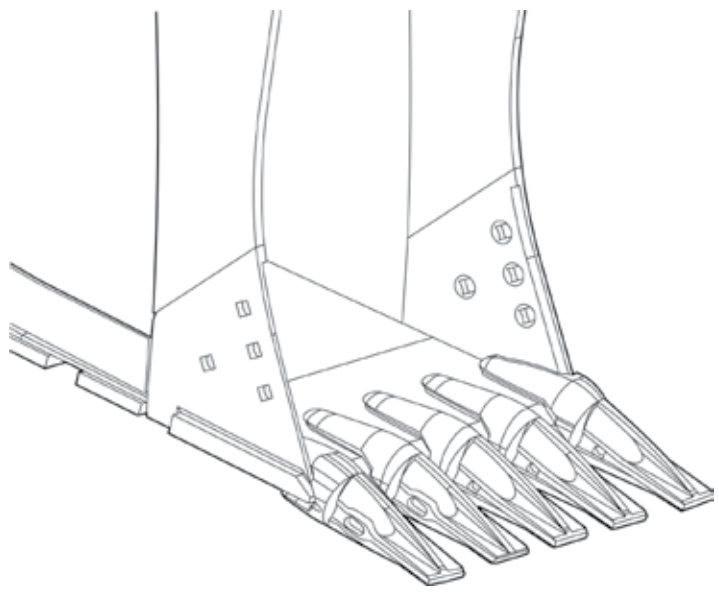
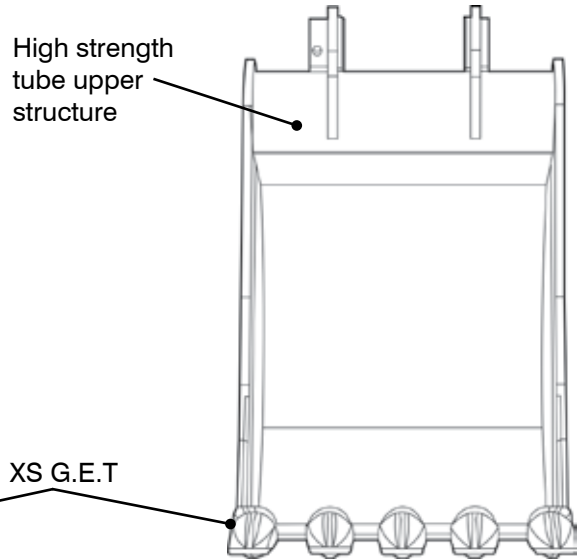
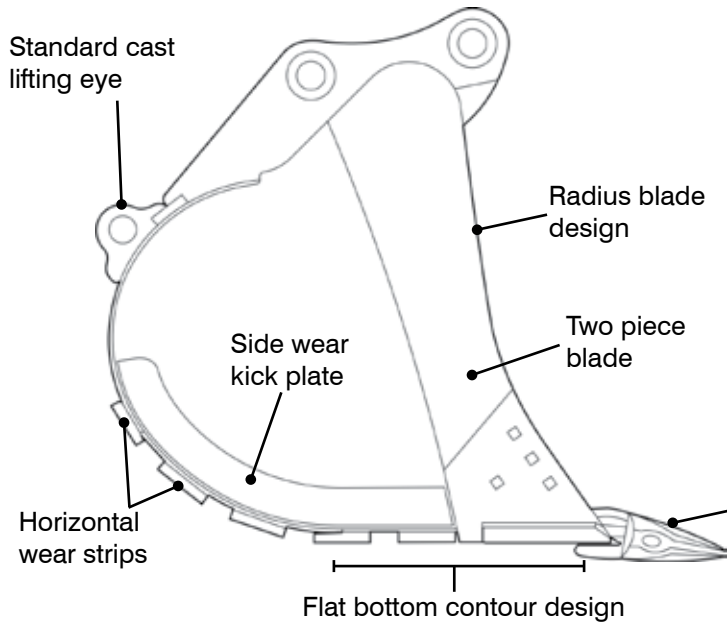
Hensley is pleased to offer our **"TL" Style** buckets for hydraulic excavators in the 12 to 40 metric ton classes. This bucket profile is designed specifically for **trenching & loading** applications where production matters most.



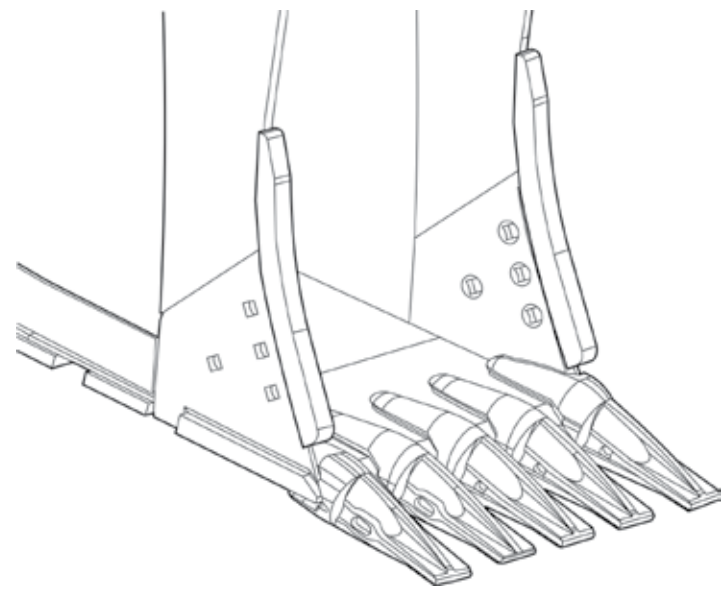
Features:

- TL profile for **trenching & loading** applications
- Flat bottom contour design
- High strength tube upper structure
- Two piece blade
- Horizontal wear strips & side wear kicker plate
- Optional sidecutter or strikeoff assemblies available
- Optional weld-on vertical edge protectors available
- XS teeth & adapters

Recommended Applications: dirt, loam, sand, gravel, loose clay, abrasive soils with limited rock mixture



TL bucket without optional weld-on vertical edge protectors. Optional sidecutter and strikeoff assemblies available.



TL bucket with optional weld-on vertical edge protectors.
SPECIAL NOTE:
 With weld-on vertical edge protectors installed, optional sidecutter or strikeoff assemblies **cannot** be used.

Hensley Industries, Inc.

2108 Joe Field Road • Dallas, Texas 75229 U.S.A.

Customer Service

(888) 406 - 6262 U.S./Canada
 (972) 406 - 6262 all other locations

Hensley Attachments

A Division of Hensley Industries, Inc.
 800 South Fifth Avenue • Mansfield, Texas 76063 U.S.A.

(800) 433 - 3144
 (817) 477 - 3167
 fax (817) 477 -3646



www.hensleyind.com



© 2006 Hensley Industries, Inc.

Your Authorized Hensley Dealer